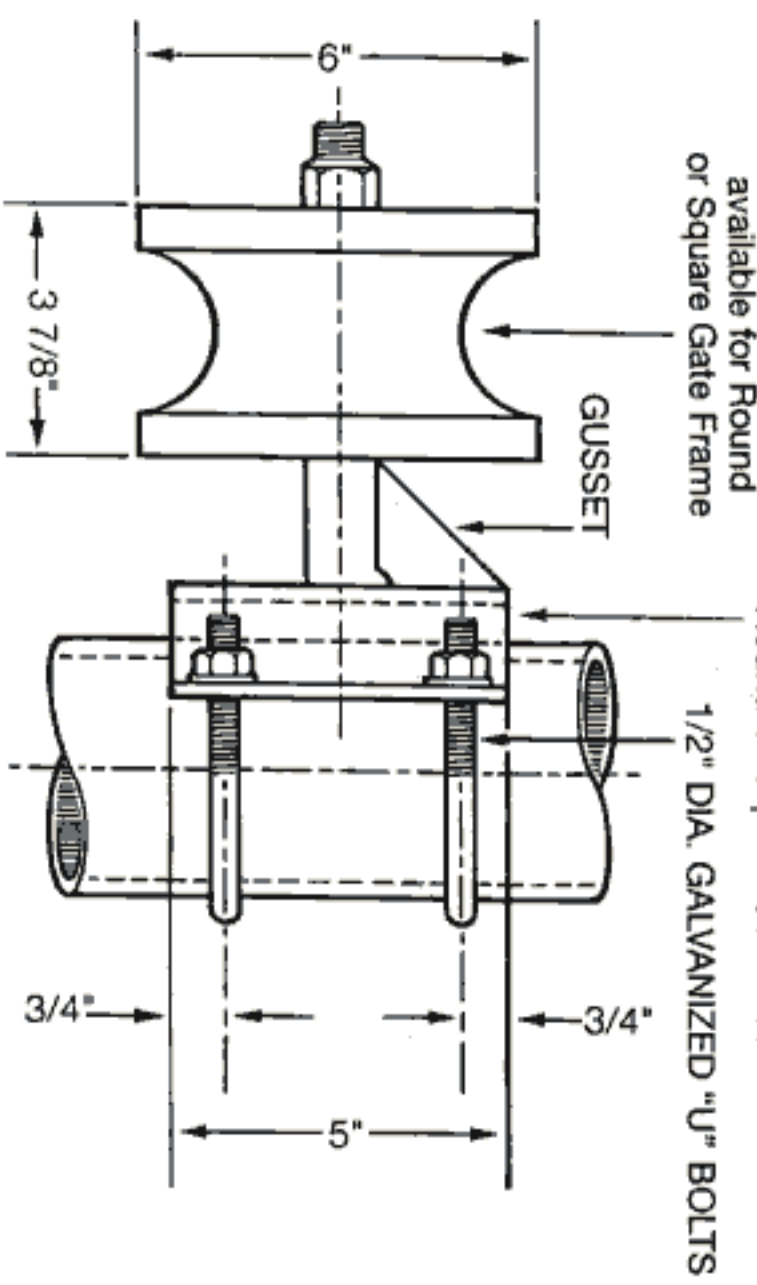


**POLYMER ROLLER**  
available for Round  
or Square Gate Frame

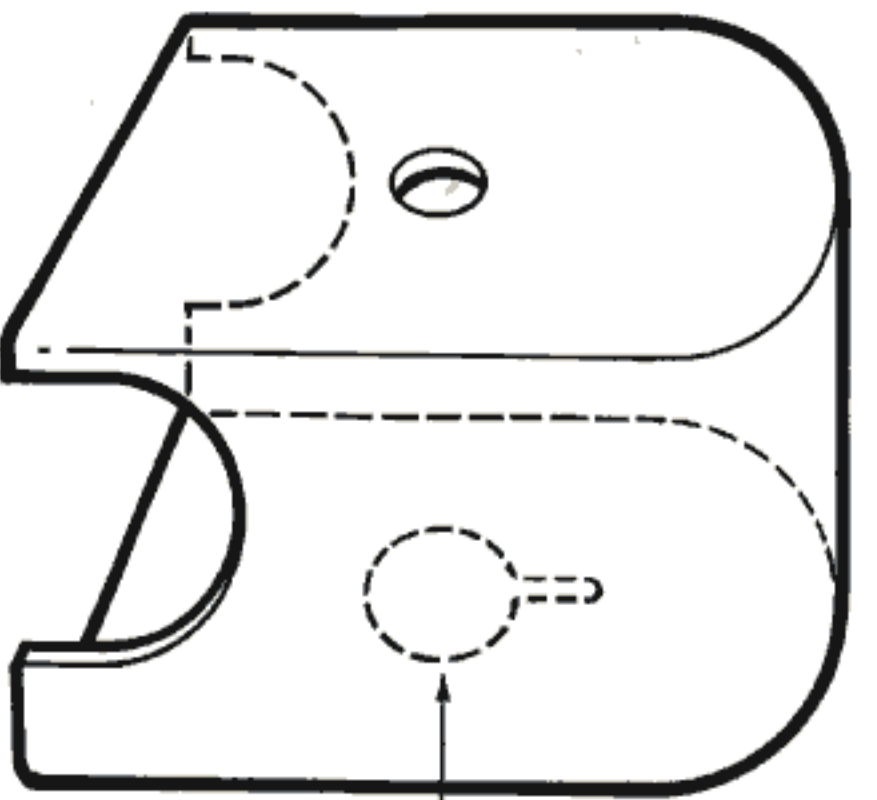
Chassis available for  
Round or Square Gate Post



- 3/8" Steel chassis – Hot-dipped galvanized
- UV inhibitors to protect from the effects of the sun
- Permanently lubricated and sealed bearings
- 1" hardened steel shaft
- Roller secured to shaft with nylon locknut

**PRODUCT DESCRIPTION**

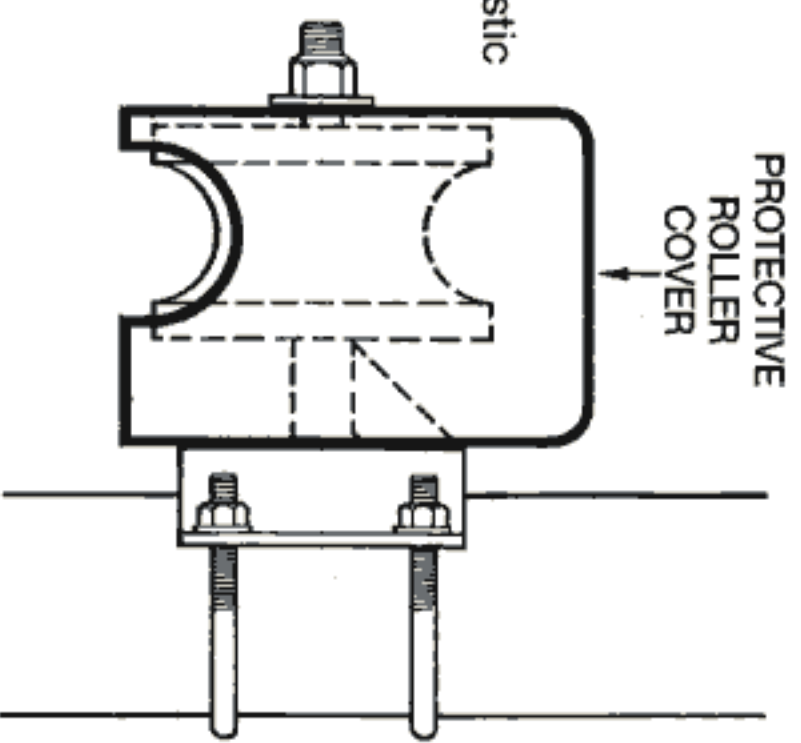
- No. 5200 ..... Roll gate track roller with bracket assembly
- No. 5350 ..... 2" Square pipe roller – 4" Round post  
2200 lb. load rating – nylon
- No. 5350-3S..... 2" Square pipe roller – 3" Square post  
2200 lb. load rating – nylon
- No. 5350-4S..... 2" Square pipe roller – 4" Square post  
2200 lb. load rating – nylon
- No. 5400 ..... 2 1/2" O.D. Frame size – 4" O.D. Round post  
1000 lb. load rating – UHMW
- No. 5500 ..... 2" O.D. Frame size – 4" O.D. Round post  
1000 lb. load rating – UHMW
- No. 5658 ..... 2 1/2" O.D. Frame size – 6 5/8" O.D. post  
3500 lb. load rating – nylon – double bearing
- No. 5800 ..... 2 1/2" O.D. Frame size – 4" O.D. post  
2200 lb. load rating – nylon
- No. 5900 ..... 3" Post adapter
- No. 5950 ..... Protective roller cover



Keyhole allows  
cover to fit  
over gusset –  
locking it  
into place

**STEALTH  
PROTECTIVE  
ROLLER COVER**

- Tough Polyethylene Plastic
  - UV inhibitors
  - Color: Gray
- Product No. 5950



- STEALTH SERIES
- CANTILEVER ROLLERS
- CANTILEVER ROLLER COVER

1-800-888-9768  
www.dacindustries.com  
**DAC** INDUSTRIES

JOB / PROJECT \_\_\_\_\_ DATE \_\_\_\_\_ OF \_\_\_\_\_