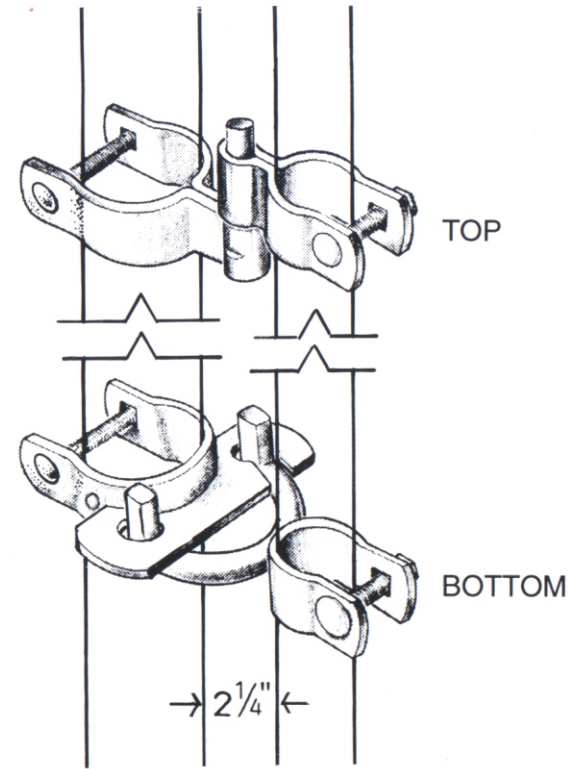


SELF-CLOSING  
HINGE SET  
for CHAIN LINK GATES  
( GRAVITY TYPE )

Allows gate to swing BOTH WAYS

PRODUCT	FRAME SIZE	POST SIZE
No. 1602	1 3/8"	2"
No. 1625	1 3/8"	2 1/2"
No. 1665	1 5/8"	2 1/2"
No. 1667	1 5/8"	3"
No. 1675	2"	2 1/2"
No. 1677	2"	3"



SELF-CLOSING  
HINGE SET  
for CHAIN LINK GATES  
( GRAVITY TYPE )

Allows gate to swing ONLY ONE-WAY

PRODUCT	FRAME SIZE	POST SIZE
No. 1602-OW	1 3/8"	2"
No. 1625-OW	1 3/8"	2 1/2"
No. 1665-OW	1 5/8"	2 1/2"
No. 1675-OW	2"	2 1/2"

SELF-CLOSING HINGE

**DAC** INDUSTRIES  
1-800-888-9768  
www.dacindustries.com

JOB / PROJECT

DATE

\_\_\_\_\_ OF \_\_\_\_\_