

Panic Exit Hardware Complete Kit Without Lock Box

6030

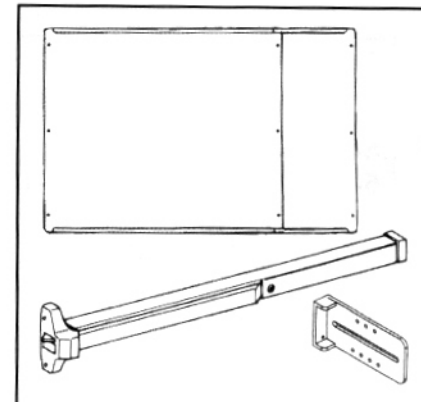
Patent Pending

Standard Kit – No Lock Box

Kit includes the following:

- Mounting plate 24" tall, adjusts for 29" to 54" gate frame
- Adjustable receiver bracket for 3" O.D. post
- Stainless steel tek-screws and fasteners included
- #6000 exit bar

Requires holes to be drilled for exit bar



| Description | Part no. | Weight ea. | | |
|-----------------------------|----------|------------|--|--|
| Standard Kit - Silver Plate | 6030-S | 38 lbs. | | |
| Standard Kit - Black Plate | 6030-B | 38 lbs. | | |

6035

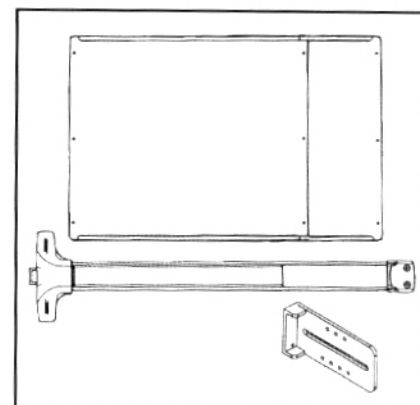
Patent Pending

Standard Kit – No Lock Box – “Detex” Exit Bar

Kit includes the following:

- Mounting plate 24" tall, adjusts for 29" to 54" gate frame
- Adjustable receiver bracket for 3" O.D. post
- Stainless steel tek-screws and fasteners included
- #6003 or #6004 “Detex” exit bar

Requires holes to be drilled for exit bar



| Description | Part no. | Weight ea. | | |
|---|----------|------------|--|--|
| Standard Kit w/"Detex" 36" Bar - Silver Plate | 6035-S36 | 44 lbs. | | |
| Standard Kit w/"Detex" 48" Bar - Silver Plate | 6035-S48 | 44 lbs. | | |
| Standard Kit w/"Detex" 36" Bar - Black Plate | 6035-B36 | 44 lbs. | | |
| Standard Kit w/"Detex" 48" Bar - Black Plate | 6035-B48 | 44 lbs. | | |

6037

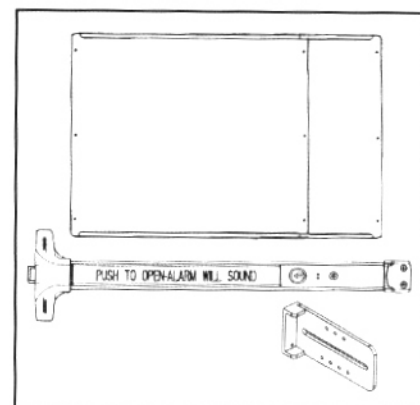
Patent Pending

Standard Kit – No Lockbox – “Detex” Exit Bar with Alarm

Kit includes the following:

- Mounting plate 24" tall, adjusts for 29" to 54" gate frame
- Adjustable receiver bracket for 3" O.D. post
- Stainless steel tek-screws and fasteners included
- #6006 or #6008 “Detex” exit bar with alarm

Requires holes to be drilled for exit bar



| Description | Part no. | Weight ea. | | |
|---|----------|------------|--|--|
| Standard Kit w/alarm 36" Bar - Silver Plate | 6037-S36 | 46 lbs. | | |
| Standard Kit w/alarm 48" Bar - Silver Plate | 6037-S48 | 46 lbs. | | |
| Standard Kit w/alarm 36" Bar - Black Plate | 6037-B36 | 46 lbs. | | |
| Standard Kit w/alarm 48" Bar - Black Plate | 6037-B48 | 46 lbs. | | |