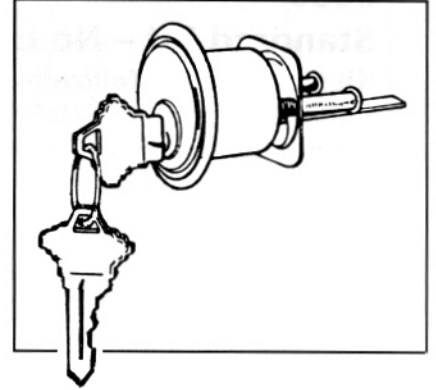


Panic Exit Hardware ACCESSORIES

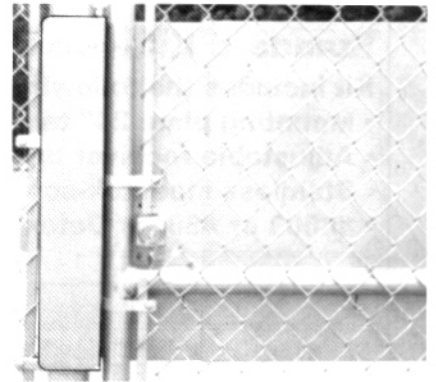
6010
Keyed Alike Cylinder
 Solid cast brass
 5-pin Schlage keyway with 2 keys

Description	Part no.	Weight ea.		
Keyed Alike Cylinder	6010	1 lb.		



6015
Gate Latch Protector
 Use on existing gate application where gap is larger than 1"
 Use for added security

Description	Part no.	Weight ea.		
Gate Latch Protector - Silver	6015-S	5 lbs.		
Gate Latch Protector - Black	6015-B	5 lbs.		



6020
Strike Latch Receiver Bracket*
 Adjustable
 Stainless steel U-bolt, nuts, tek-screws
 1/4" steel with powder-coat finish
 Fits 3" O.D. post
 *Strike not included

Description	Part no.	Weight ea.		
Receiver - Silver	6020-S	2 lbs.		
Receiver - Black	6020-B	2 lbs.		

