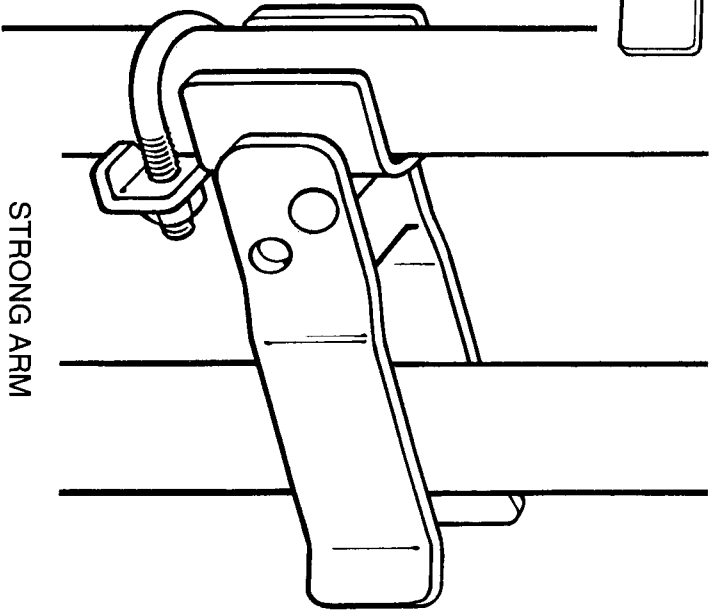


RESIDENTIAL

DOUBLE GATE LATCH*

Fits 1 3/8" frame
Adjusts for 2" - 4" gap.

No. 4138

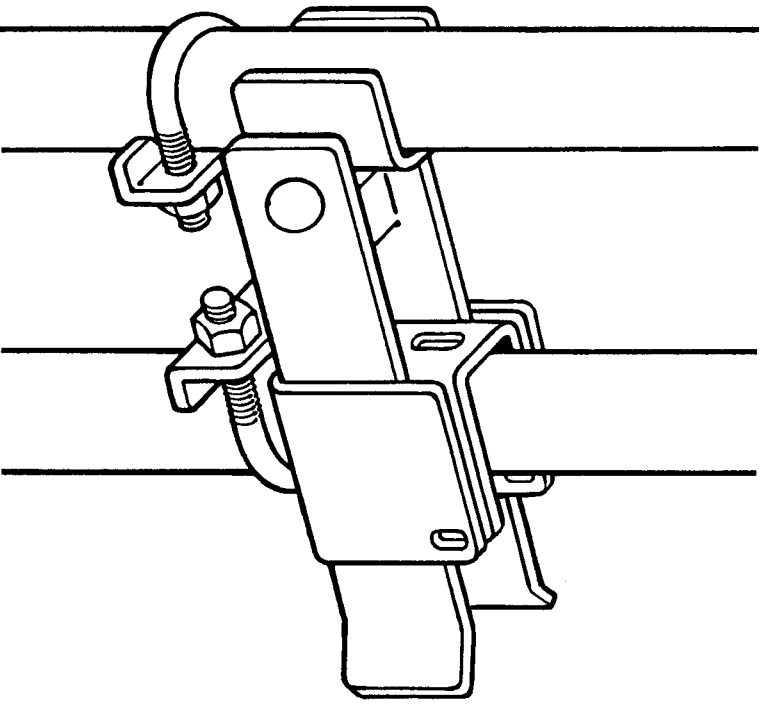


WALK GATE LATCH

STRONG ARM

Fits 1 5/8" or 2" frame
Allows for 2" to 5" gap.

- No. 4250 . . . 2 1/2" Latch Post
- No. 4300 3" Latch Post
- No. 4400 4" Latch Post



COMMERCIAL

DOUBLE GATE LATCH*


Fits 1 5/8" or 2" frame
Adjusts for 2" - 6" gap.

No. 4000

*DROP ROD NOT REQUIRED

LOCKABLE

GALVANIZED

STRONG ARM LATCH		 INDUSTRIES
JOB / PROJECT _____	DATE _____	
		1-800-888-9768 www.dacindustries.com
		OF _____